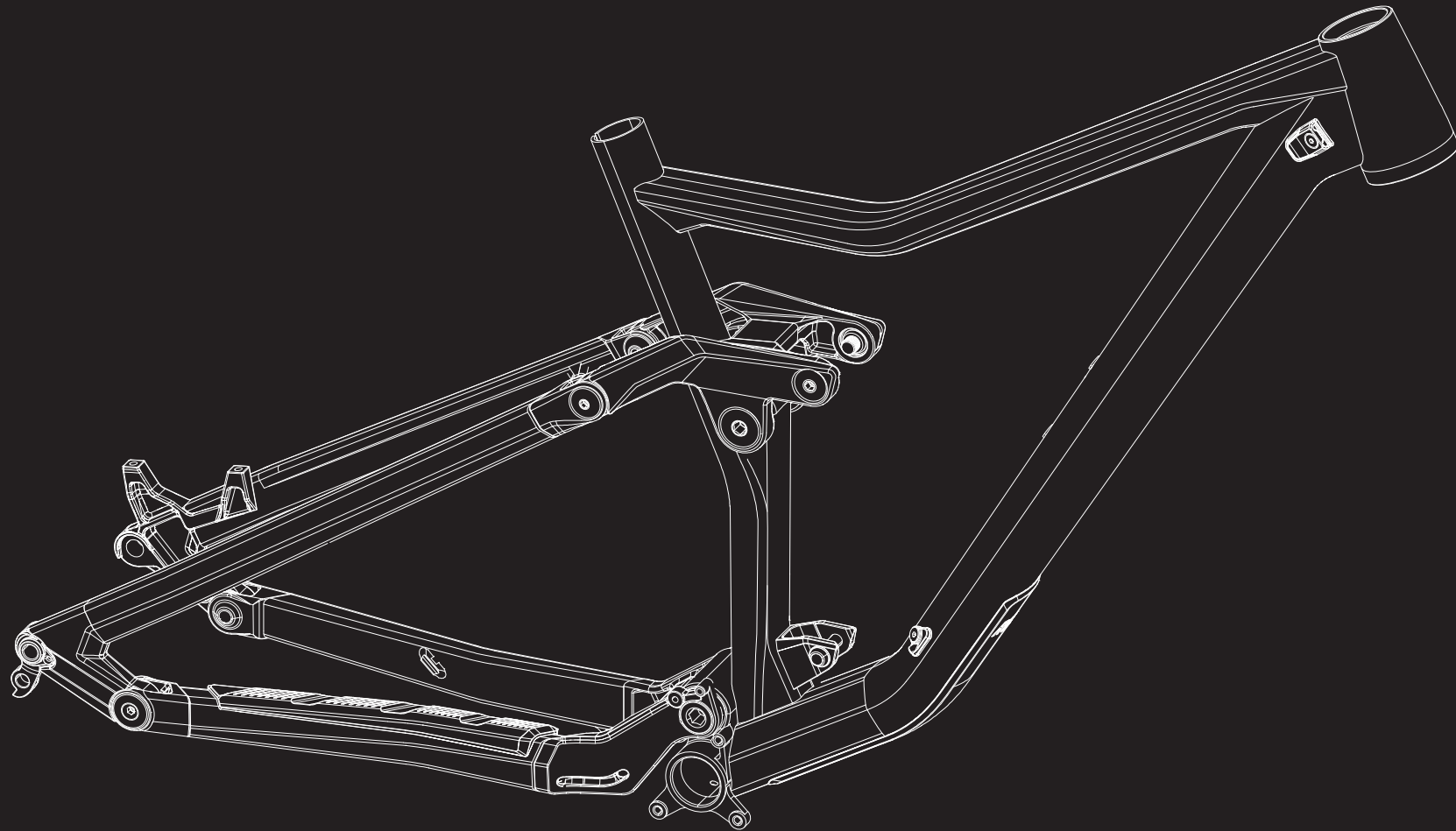


ROSE



ANY QUESTIONS?

rosebikes.de/support

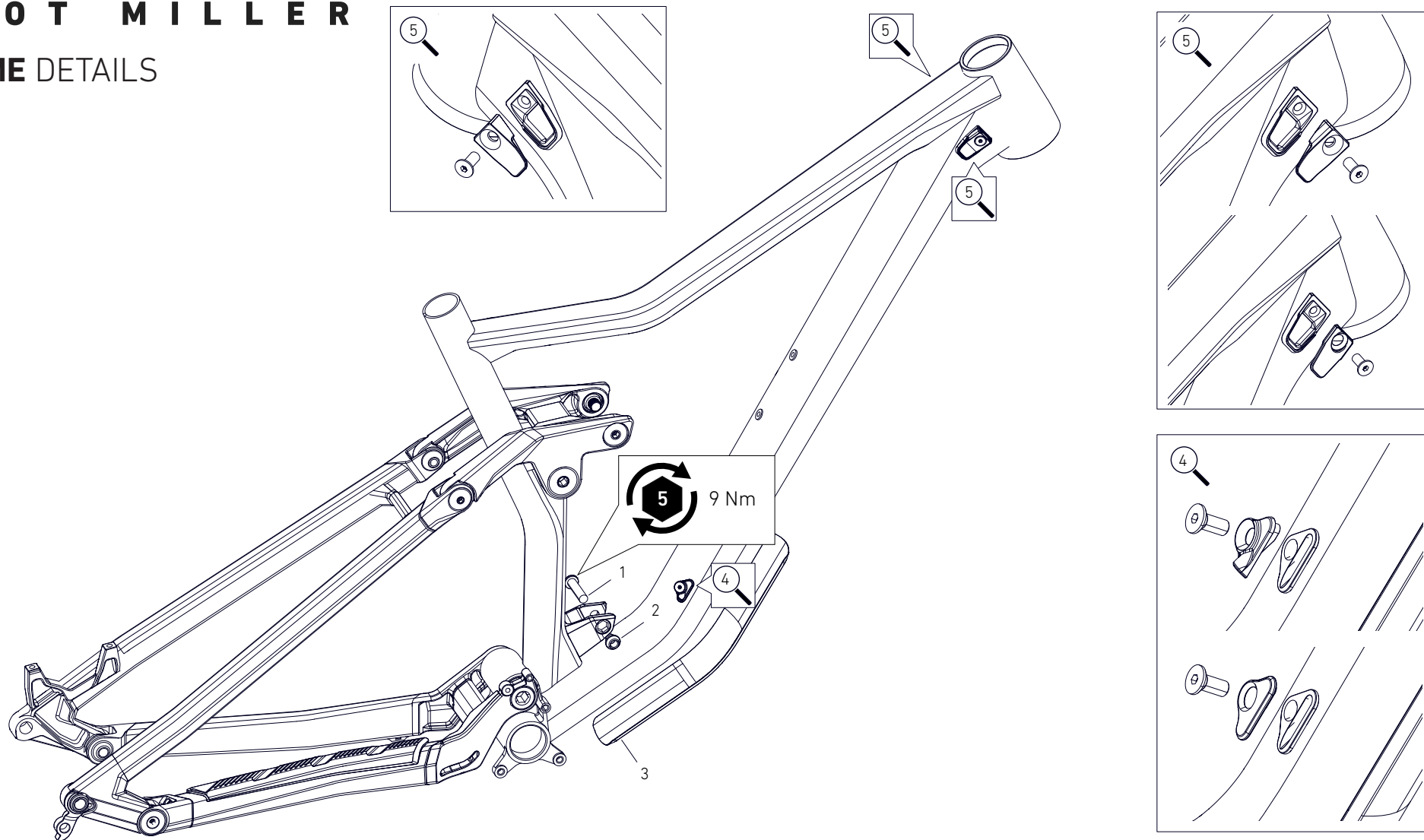
ROSE Bikes GmbH
Schersweide 4
46395 Bocholt, Germany

R O O T M I L L E R

FRAME DETAILS
MODELYEAR 2020

ROOT MILLER

FRAME DETAILS



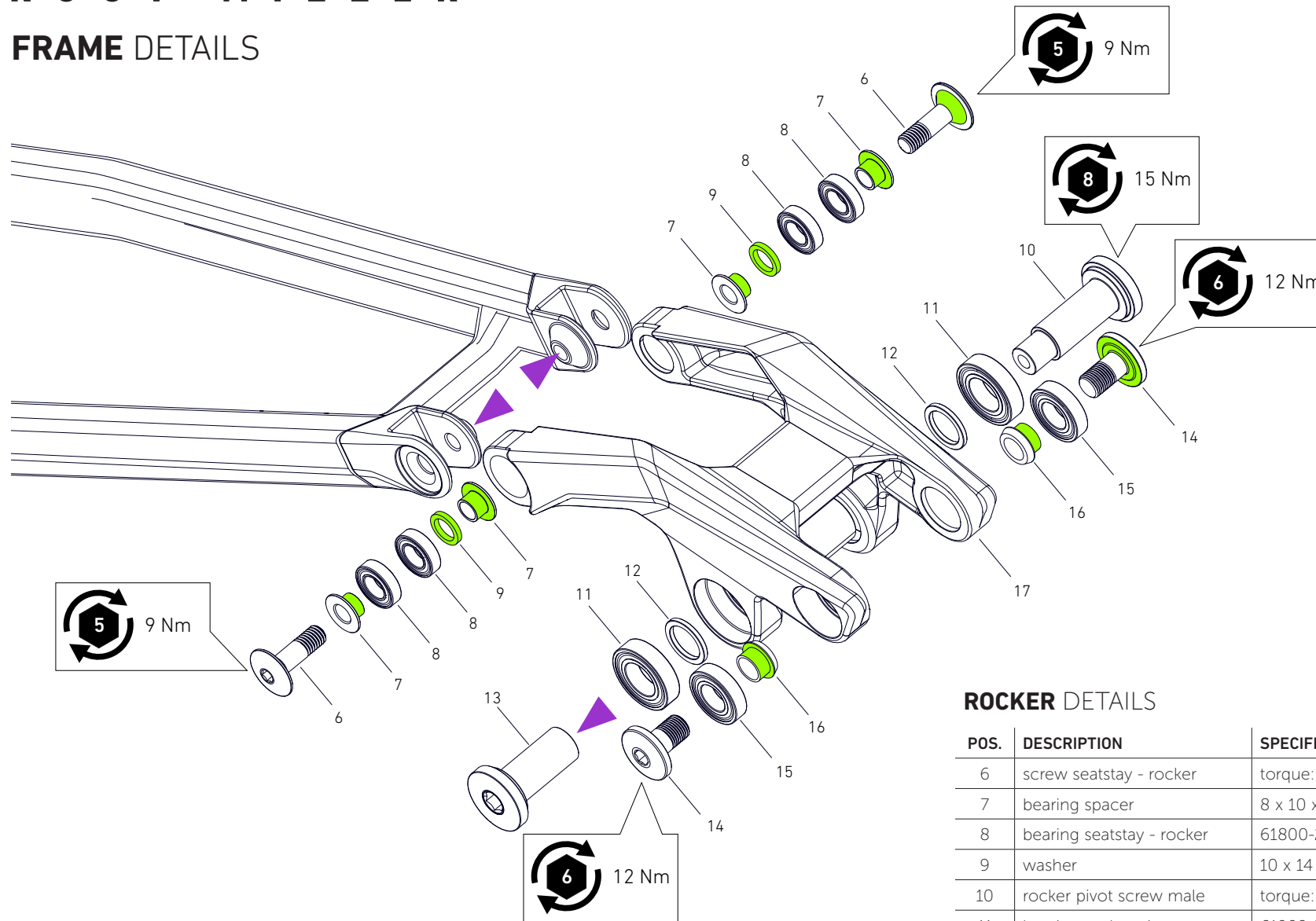
MAIN FRAME DETAILS

POS.	DESCRIPTION	SPECIFICATIONS	ART. NR.
1	shock screw	M8 x 35 mm, torque: 9 Nm / tool: 5 mm hex	229968201
2	shock screw nut		2251949
	GREASE	Motorex Bike Grease 2000 100 g	49208600
	THREADLOCKER	mid strength, for example Art. Nr. 1322431	

POS.	DESCRIPTION	SPECIFICATIONS	ART. NR.
3	frame protector downtube		2297692
4	cable inlet downtube	incl. fixing screw M5 x 12 mm	2251942
	blind cover	incl. fixing screw M5 x 12 mm	2251946
5	cable inlet headtube	incl. fixing screw M5 x 12 mm	2251724
	blind cover	incl. fixing screw M5 x 12 mm	2251945

ROOT MILLER

FRAME DETAILS



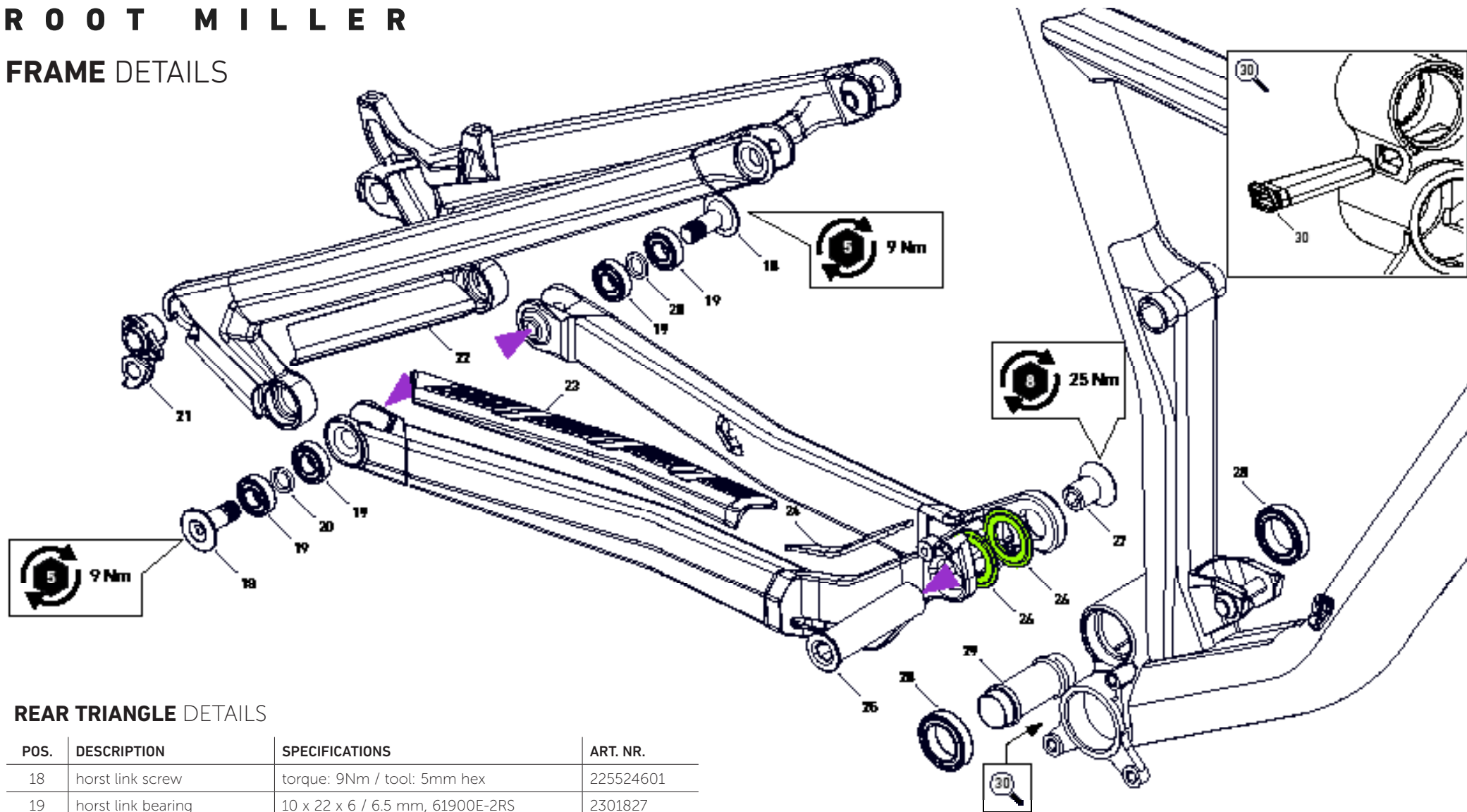
ROCKER DETAILS

POS.	DESCRIPTION	SPECIFICATIONS	ART. NR.
6	screw seatstay - rocker	torque: 9 Nm / tool: 5 mm hex	225524801
7	bearing spacer	8 x 10 x 6.9 mm	1970681
8	bearing seatstay - rocker	61800-2RS1, 10 x 19 x 5 mm	2298583
9	washer	10 x 14 x 2 mm	2190112
10	rocker pivot screw male	torque: 15 Nm / tool: 8 mm hex	230189701
11	bearing rocker pivot	61902-2RS1, 15 x 28 x 7 mm	2298580
12	bearing spacer	15 x 20 x 2 mm	1970742
13	rocker pivot screw female	torque: 15 Nm / tool: 8mm hex	230189601
14	screw shock mount	torque: 12 Nm / tool: 6mm hex	225524701
15	bearing	61901-2RS1, 12 x 24 x 6 mm	2301825
16	bearing bushing	10 x 12 x 8.5 mm	225524101
17	rocker		2301895

	GREASE	Motorex Bike Grease 2000 100 g	49208600
	THREADLOCKER	mid strength, for example Art. Nr. 1322431	

ROOT MILLER

FRAME DETAILS



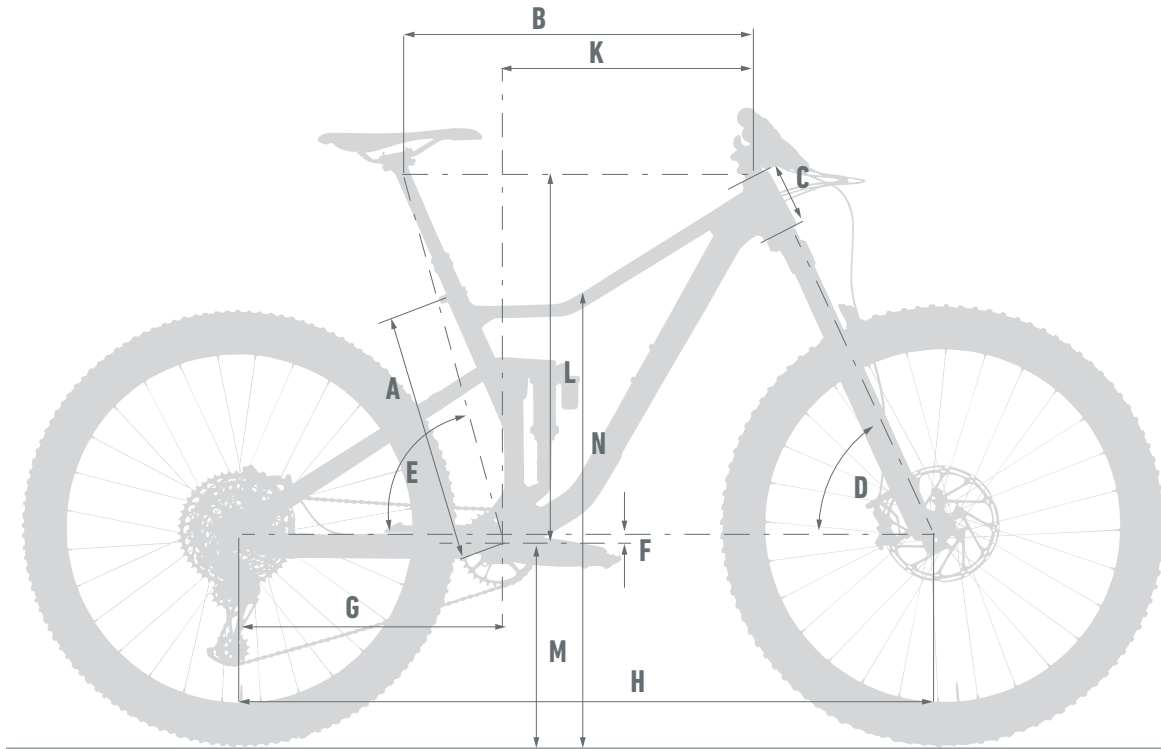
REAR TRIANGLE DETAILS

POS.	DESCRIPTION	SPECIFICATIONS	ART. NR.
18	horst link screw	torque: 9Nm / tool: 5mm hex	225524601
19	horst link bearing	10 x 22 x 6 / 6.5 mm, 61900E-2RS	2301827
20	washer	10 x 14 x 2 mm	2190112
21	derailleur hanger	Rose No. 37, incl. fixing screw M3 x 12 mm	225194101
22	frame protection seatstay		2302245
23	frame protection chainstay		2297690
24	frame protection yoke		2300930
25	main pivot bolt		2251935
	GREASE	Motorex Bike Grease 2000 100 g	49208600
	THREADLOCKER	mid strength, for example Art. Nr. 1322431	

POS.	DESCRIPTION	SPECIFICATIONS	ART. NR.
26	yoke spacer	18 x 33.5 x 2.5 mm	2251940
27	main pivot screw	torque: 25 Nm / tool: 8 mm hex	2251937
28	main pivot bearing	20 x 32 x 7 mm / 61804-2RS1	2301826
29	sleeve main pivot		225194001
30	BB sleeve		230340701

ROOT MILLER

FRAME DETAILS



FRAME INTERFACES

BOTTOM BRACKET	BSA 73 mm
HEADSET	ZS 44 / 56
REAR WHEEL AXLE	length: 180 mm, M12 x 1.75, thread length: 20 mm e.g. DT Swiss RWS Boost Plug In axle, Art. Nr. 2269801
SHOCK LENGTH X STROKE	205 x 60 mm
SHOCK HARDWARE	Trunnion Mount / Ø8 x 20 mm
REAR BRAKE MOUNT	PM 180
MAX. Ø REAR BRAKE DISC	203 mm
Ø SEAT TUBE	31.6 mm, internal dropper compatible
Ø SEAT POST CLAMP	36 mm, e.g. ROSE seat post clamp, Art. Nr. 226113801
MAX. TIRE WIDTH	2.6"
WHEEL SIZE	29"
MAX. CHAINRING SIZE	36 T
ISCG	ISCG 05
REAR HUB SPACING	Boost 12 x 148 mm

MAX SYSTEM WEIGHT (RIDER + BICYCLE + CLOTHING + GEAR + LUGGAGE): 120 KG
INTENDED USE (DIN 17406): CATEGORY 4

		SIZE S	SIZE M	SIZE L	SIZE XL
SEAT TUBE LENGTH	A	410	440	470	500
TOP TUBE LENGTH	B	565	592	621	650
HEAD TUBE LENGTH	C	95	100	110	120
HEAD ANGLE	D	66°			
SEAT ANGLE EFFECTIVE	E	76,6°	76,5°	76,4°	76,2°
SEAT ANGLE REAL		67			
BB DROP	F	28			
CHAIN STAY LENGTH	G	442			
WHEEL BASE	H	1176	1203	1232	1261
REACH	K	420	445	470	495
STACK	L	609	613	623	632
BB HEIGHT	M	348			
STANDOVER HEIGHT	N	737	758	761	765