

# ROSE



**ANY QUESTIONS?**

[rosebikes.de/support](https://rosebikes.de/support)

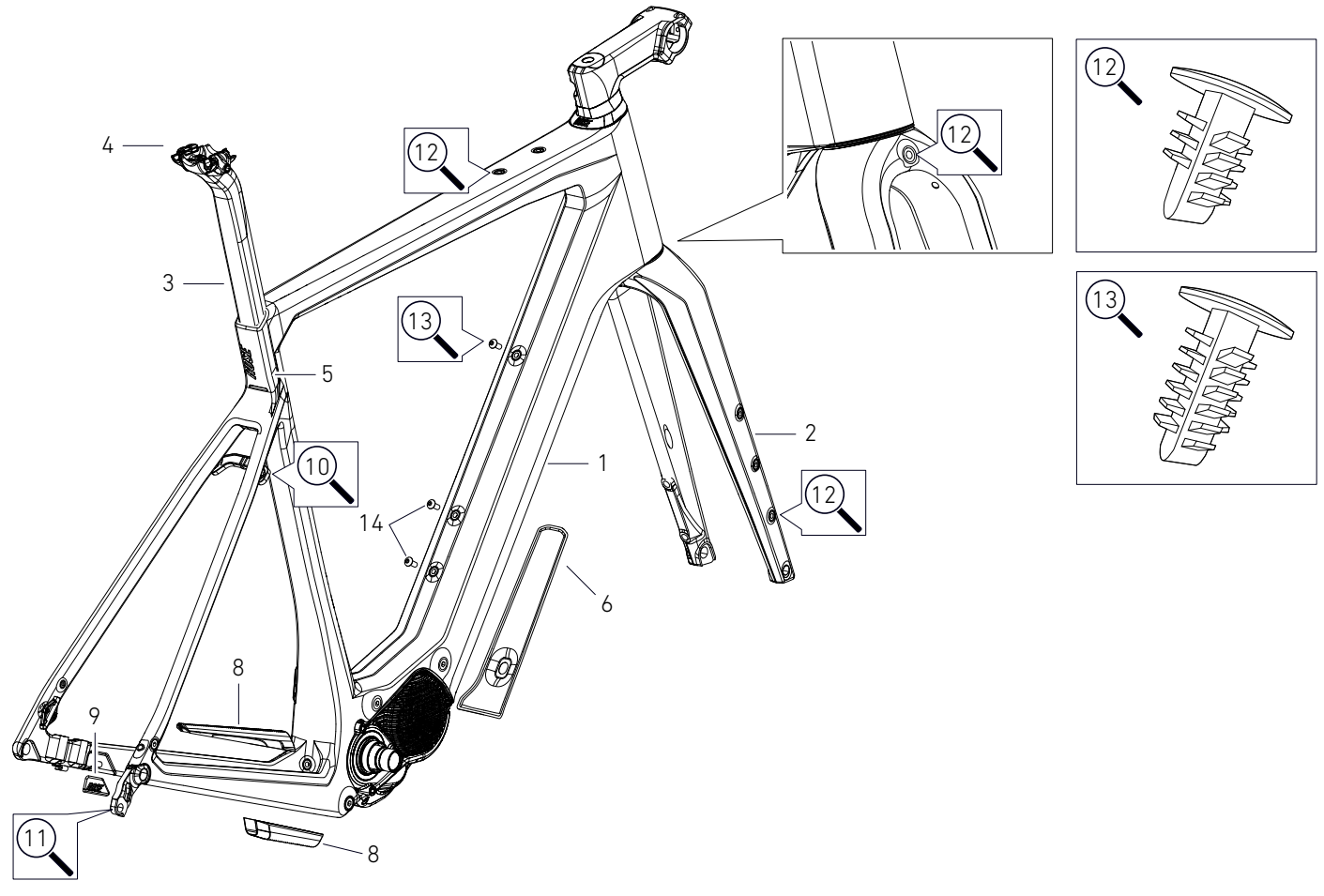
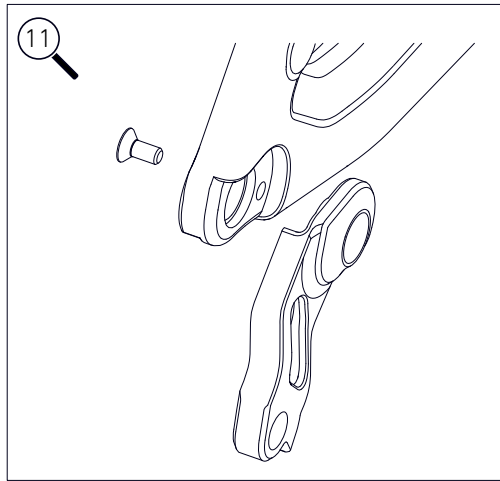
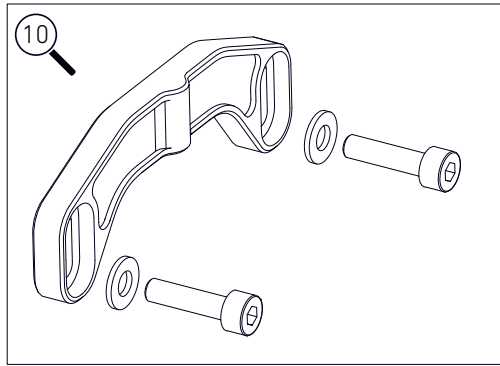
ROSE Bikes GmbH  
Schersweide 4  
46395 Bocholt, Germany

**B A C K R O A D** PLUS

**CF FRAME DETAILS**

# BACKROAD PLUS

## CF FRAME DETAILS



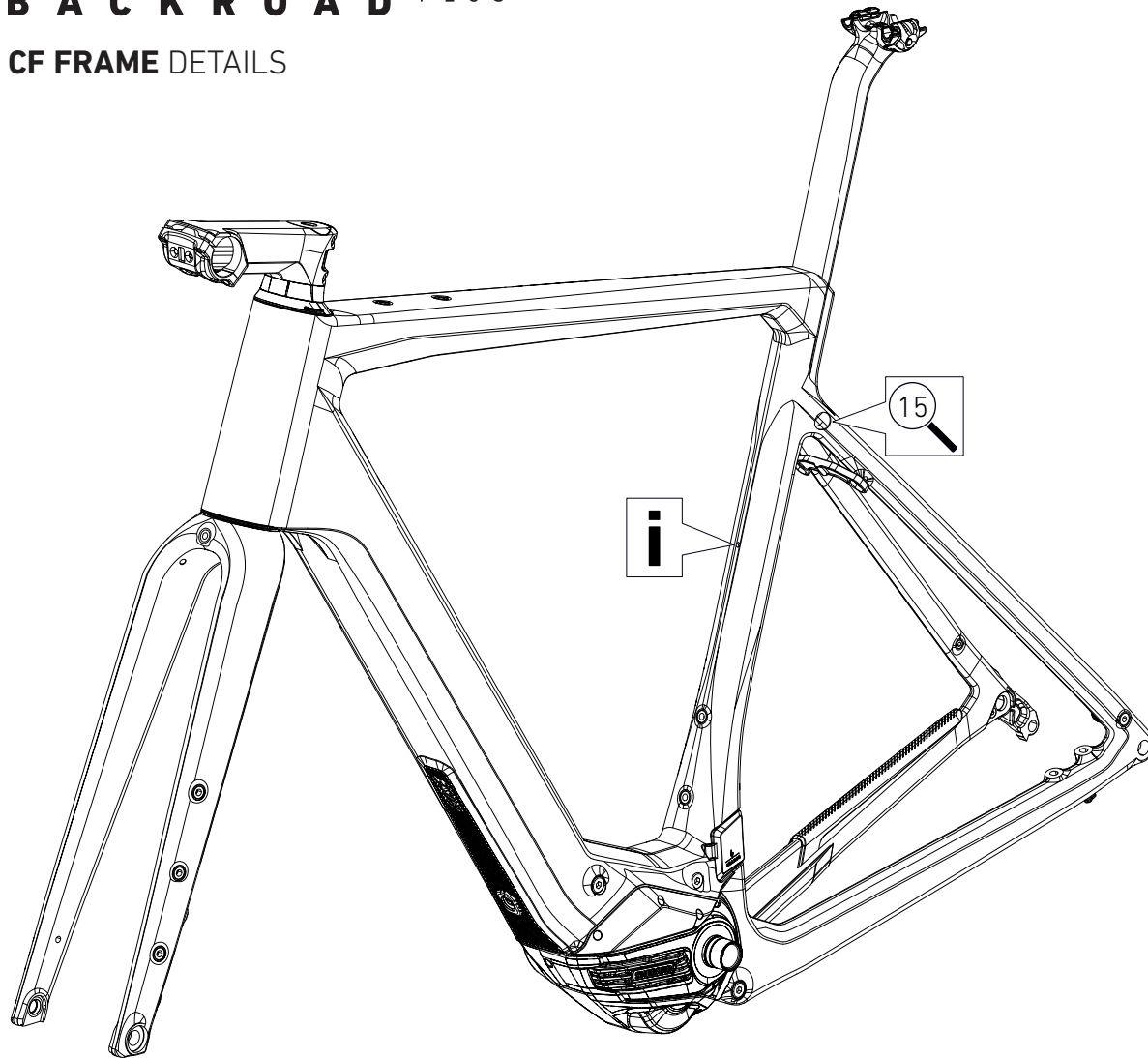
POS.	DESCRIPTION	SPECIFICATIONS	ART. NR.
1	frame	color: black	2312251
		color: grey	2312252
2	fork	color: black	2305623
		color: grey	2305814
3	seatpost	490 mm length / 25 mm setback (only flatbar)	2297790
		490 mm length / 8 mm setback (only dropbar)	2299453
		400 mm length / 8 mm setback	2310681
4	saddle clamp	Ø 7 mm rail	2284193
5	seatpost clamp cover		2289340
6	down tube protector		2304454

POS.	DESCRIPTION	SPECIFICATIONS	ART. NR.
8	chainstay protector	2 pieces	2294171
9	disc protector		2289352
10	seatstay bridge*	incl. 2x M4 x 16 mm fixing screws	2294174
11	Shimano disc hanger	incl. fixing screw	2289315
12	pinetree plug	8 mm, for M5 thread	2293464
13	pinetree plug	11 mm, for M5 thread	2318772
14	bolt for bottle cage*	M5 x 12 mm	
		Don't use screws longer than 12 mm!	
	shrink foam tube for D/T cable		2305794
	plug headset cap screw	11 x 4 x 4 mm	2178624

\* this part is not fitted to the frame as standard

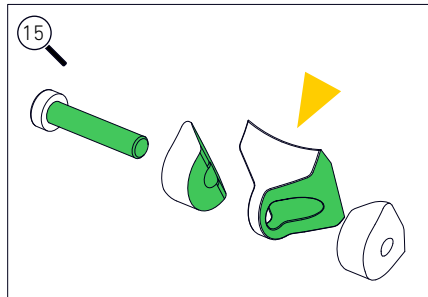
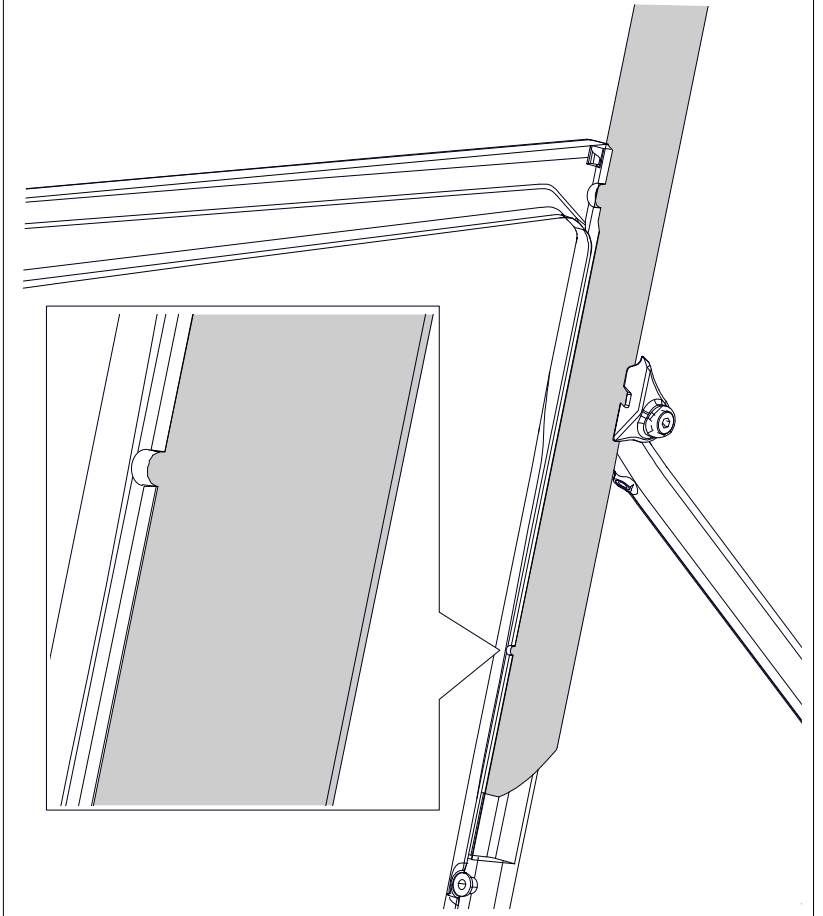
# BACKROAD PLUS



## CF FRAME DETAILS



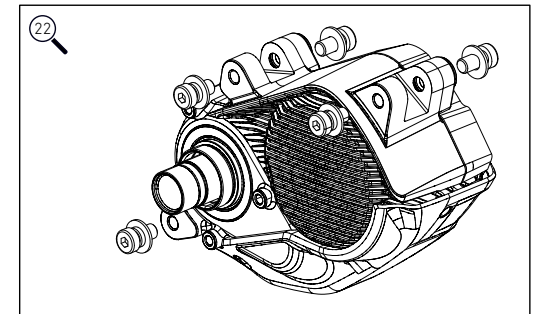
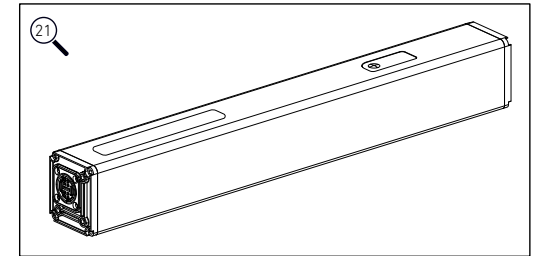
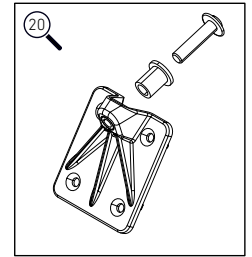
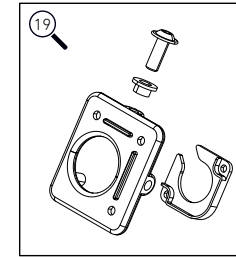
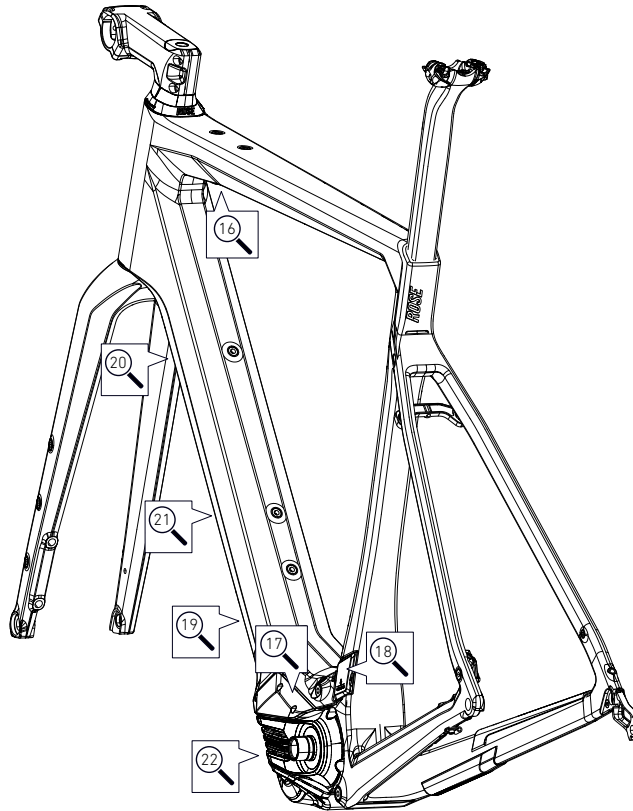
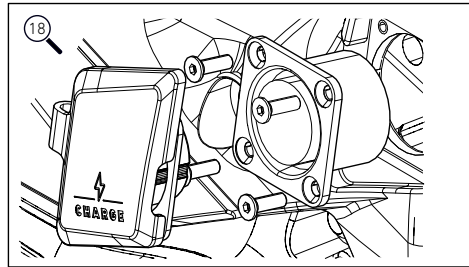
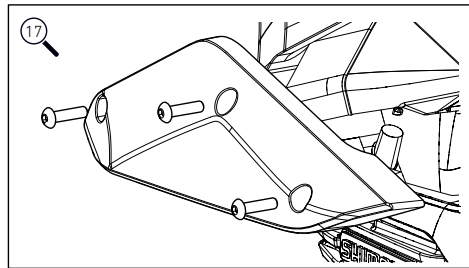
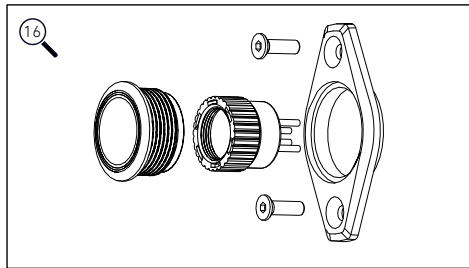
There is a hole in the seat tube of the frame to verify the minimum seat post insertion depth.

The seatpost must always be inserted that far, that it is visible through the hole.



15	seatpost clamp	torque: max. 5 Nm	2289345
	GREASE	Motorex Bike Grease 2000 100 g	49208600
	CARBON ASSEMBLY PASTE	for example DYNAMIC, Art. Nr. 25377201	

# BACKROAD PLUS

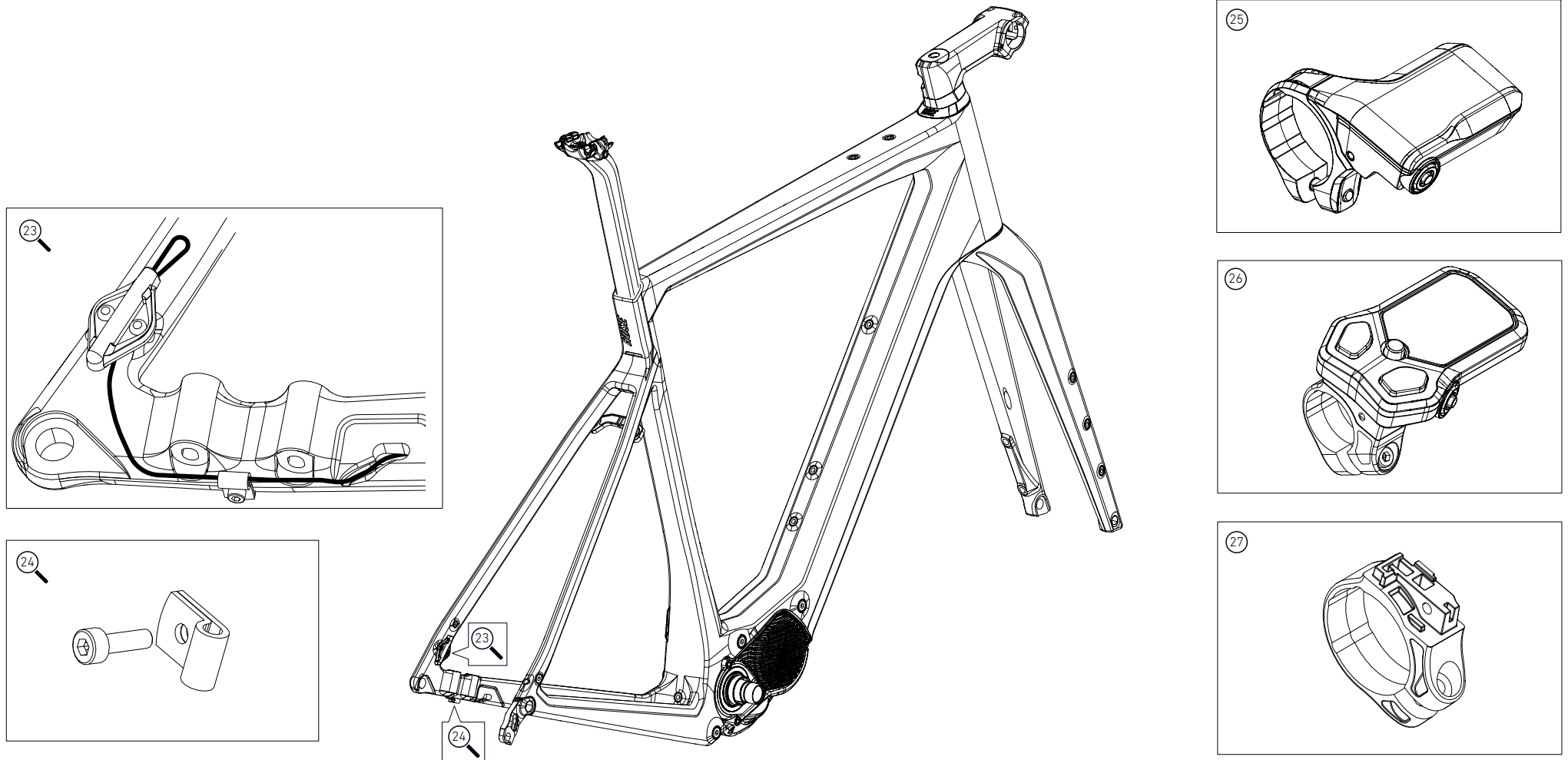


POS.	DESCRIPTION	SPECIFICATIONS	ART. NR.
16	on/off switch	button	2304897
	switch button bracket black	button bracket / 2x fixing screw M3x8 mm	2305792
	switch button bracket grey	button bracket / 2x fixing screw M3x8 mm	2305793
17	motor cover black	motor cover, screws included in pos. 22	2305790
	motor cover grey	motor cover, screws included in pos. 22	2305791
18	main cable incl. loadport		2304896
	fixing screw	4x M3 x 10 mm	
	loadport cover		2305798
19	battery fixation bottom		2304917
	fixing screw	1x M4 x 12 mm (3 pcs. needed)	2309036
	fixing screw	M6 x 16 mm	2309038
	insulation bushing	length: 2.5 mm	2305802
	battery cable fixation	incl 2x M3 x 8 mm	2305311

POS.	DESCRIPTION	SPECIFICATIONS	ART. NR.
20	upper battery fixation		2305789
	fixing screw	1x M4 x 12 mm (4 pcs. needed)	2309036
	fixing screw D/T	M6 x 25 mm	2309037
	insulation bushing	length: 12 mm	2305801
21	battery pack	SMP 360 Wh	2304895
	steel protection plate	120 x 20 mm	2319112
	battery charger	SMP	230490801
22	drive unit	incl. 6x M3 x 12 mm screw for motor cover no individual sale	2297275
	drive unit bolts	6x M8 x 18 mm	2309039
	insulation bushing	length: 4 mm	2305799
	drive unit bottom cover	no individual sale	2297287

# BACKROAD PLUS

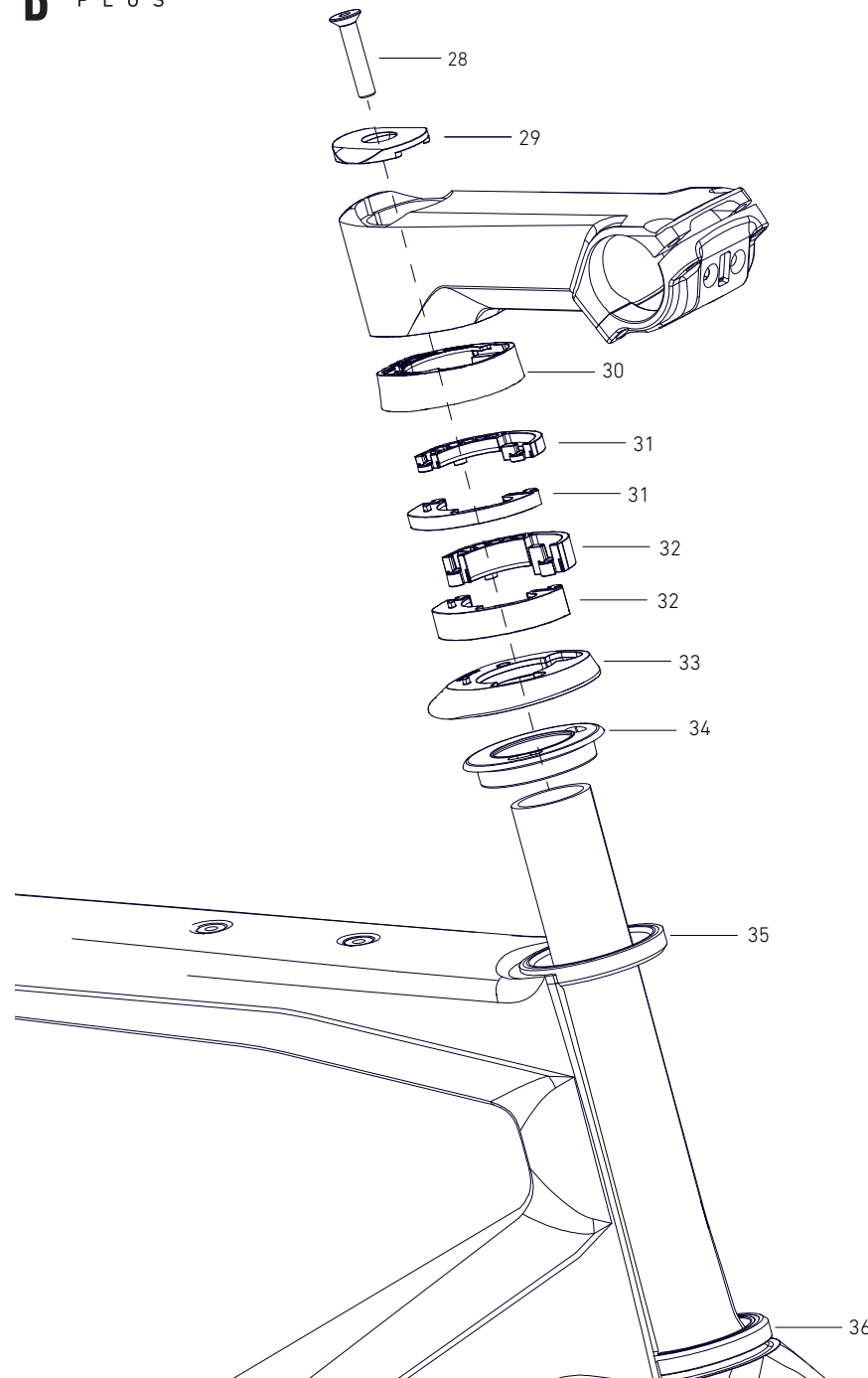
## CF FRAME DETAILS



POS.	DESCRIPTION	SPECIFICATIONS	ART. NR.
23	speed sensor unit	incl. 2x M3 fixing screw correct position of the speed sensor after installation is critical!	2297282
24	clamp speed sensor cable	incl. fixing screw	2310040
25	display Shimano EM800, 31.8 mm	only for GRX RX810 Di2 dropbar-model, no individual sale	2297279
26	display Shimano SC-E5003	all models except GRX RX810 Di2 dropbar, 22.2 mm clamp included in this pos. is not compatible with 31.8 mm handlebar, add pos. 5, if needed, no individual sale	2300486
27	clamp 31.8 mm Display SC-E5003	all models except GRX RX810 Di2 dropbar	2309387

# BACKROAD PLUS

## CF FRAME DETAILS

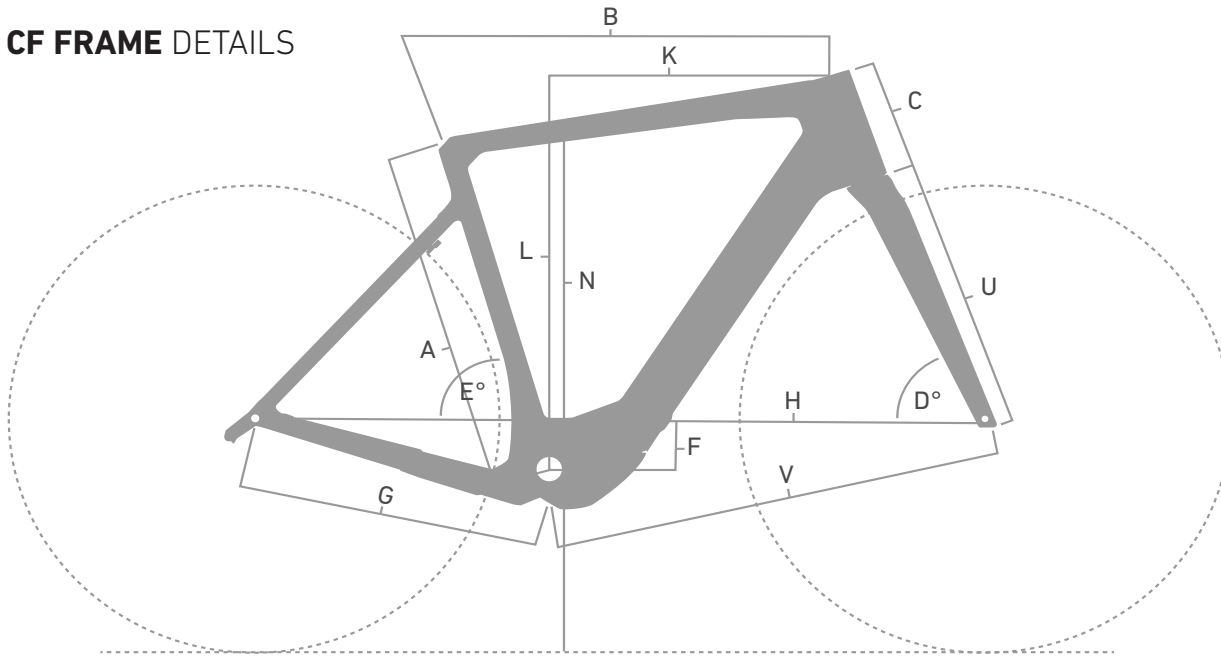


## HEADSET DETAILS

POS.	DESCRIPTION	SPECIFICATIONS	ART. NR.
28	countersunk head screw	DIN7991, M6 X 30 mm	2303004
29	top cap		
30	top cover	for fully integrated cable routing	
31	spacer		
32	spacer		
33	headtube cover		
34	compression ring	Ø1 1/8"	
35	upper bearing	42 x 52 x 7 mm	
36	lower bearing	40 x 52 x 7 mm, R1	

# BACKROAD PLUS

## CF FRAME DETAILS



## FRAME GEOMETRY

		S	M	L	XL
SEATTUBE LENGTH [MM]	A	465	500	530	570
TOPTUBE LENGTH HORIZONTAL [MM]	B	518	553	590	620
HEADTUBE LENGTH [MM]	C	120	140	170	200
HEAD TUBE ANGLE	D	69,50°	71,00°	71,50°	72,00°
SEAT TUBE ANGLE	E	76,50°	75,00°	73,5°	73,50°
BB DROP [MM]	F	76			
REAR CENTER [MM] (CHAINSTAY LENGTH)	G	436	436	436	436
WHEELBASE [MM]	H	1042	1047	1067	1087
REACH [MM]	K	386	399	411	426
STACK [MM]	L	549	573	604	634
STAND-OVER HEIGHT (100 MM BEFORE BB)	N	771	800	829	863
FORK LENGTH [MM]	U	405			
FRONT CENTER [MM]	V	618	625	642	661
STACK TO REACH RATIO		1,42	1,44	1,47	1,49
FORK OFFSET [MM]		47			

## FRAME INTERFACES

REAR WHEEL AXLE	12 x 148 mm, ROSE Art. Nr.: 2305768
REAR BRAKE MOUNT	Flatmount 160 mm
MAX Ø DISC	160 mm only!
Ø SEATPOST	D-shape
MAX. TIRE SIZE	700Cx47
MAX. CHAINRING SIZE	1x 42T
FRONT DERAILLEUR MOUNT	no
BOTTLE CAGE	yes, 3x
REAR RACK MOUNT	yes, max. load 8 kg each side!

## FORK INTERFACES

FRONT WHEEL AXLE	12 x 100 mm: ROSE Art. Nr.: 227585701
FRONT BRAKE MOUNT	Flatmount 180 mm
MAX Ø DISC	180 mm
MAX. TIRE SIZE	700Cx45
LOWRIDER MOUNT	not compatible
BOTTLE CAGE	yes, 2x

MAX SYSTEM WEIGHT (RIDER + BICYCLE + CLOTHING + GEAR + LUGGAGE): 120 KG

BICYCLE WEIGHT: BACKROAD PLUS: 15,5 KG (±5%)

BACKROAD PLUS EQ / EQ FLATBAR: 17,5 KG (±5%)

INTENDED USE: DIN 17406 CATEGORY 2